

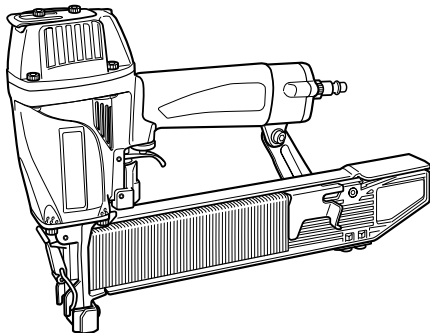
HITACHI

Instruction and safety manual
Manuel d'instructions et de sécurité
Instrucciones y manual de seguridad

Model
Modèle
Modelo

N 5008AC2 · N 5010A

Stapler
Agrafeuse
Grapadora



⚠ DANGER

Improper use of this Stapler can result in death or serious injury!
This Manual contains important information about product safety.
Read and understand this Manual before operating the Stapler.
Keep this Manual available for others before they use the Stapler.
Never allow anyone who has not reviewed this manual.

⚠ DANGER

Une utilisation incorrecte et sans respecter la sécurité de cette agrafeuse risque d'entraîner la mort ou des blessures graves !
Ce manuel renferme des instructions importantes sur la sécurité de l'outil.
Lire et bien assimiler ce manuel avant d'utiliser l'agrafeuse.
Conserver ce manuel à l'intention des autres utilisateurs de la agrafeuse.
Ne jamais laisser les personnes n'ayant pas étudié le manuel utiliser l'outil.

⚠ PELIGRO

¡La utilización inadecuada e insegura de esta grapadora puede resultar en lesiones serias o en la muerte!
Este manual contiene información importante sobre la seguridad del producto.
Lea y entienda este manual antes de utilizar la grapadora.
Guarde este manual a mano para que puedan consultarlo otras personas antes de utilizar la grapadora.
No deje manejar esta herramienta a nadie que no haya leído este manual.

Hitachi Koki

CONTENTS

English	Page	Page	
IMPORTANT SAFETY INFORMATION	3	BEFORE OPERATION	10
DEFINITIONS OF SIGNAL WORDS	3	WORKING ENVIRONMENT	10
SAFETY		AIR SUPPLY	10
IMPORTANT SAFETY INSTRUCTIONS FOR		LUBRICATION	11
USING STAPLERS	4	COLD WEATHER CARE	11
EMPLOYER'S RESPONSIBILITIES	7	TESTING THE STAPLER	11
OPERATION		ADJUSTING AIR PRESSURE	13
NAME OF PARTS	8	LOADING STAPLES	13
SPECIFICATIONS	9	STAPLER OPERATION	13
STAPLE SELECTION	9	METHODS OF OPERATION	14
ACCESSORIES	9	ADJUSTING THE STAPLING DEPTH	15
STANDARD ACCESSORIES	9	MAINTENANCE	
OPTIONAL ACCESSORIES	10	MAINTENANCE AND INSPECTION	17
APPLICATIONS	10	SERVICE AND REPAIRS	18
		PARTS LIST	60

TABLE DE MATIERES

Français	Page	Page	
INFORMATIONS IMPORTANTES DE		AVANT L'UTILISATION	29
SÉCURITÉ	21	ENVIRONNEMENT DE TRAVAIL	29
DEFINITION DES MOTS DE		ALIMENTATION D'AIR	29
SIGNALISATION	21	GRAISSAGE	30
SECURITE		ENTRETIEN PAR TEMPS FROID	30
CONSIGNES DE SECURITE IMPORTANTES		ESSAI DE L'AGRAFEUSE	31
POUR L'UTILISATION DE		REGLAGE DE LA PRESSION D'AIR	32
L'AGRAFEUSE	22	CHARGEMENT DES AGRAFES	32
RESPONSABILITES DE L'EMPLOYEUR	26	UTILISATION DE L'AGRAFEUSE	33
UTILISATION		METHODES D'UTILISATION	34
NOM DES PIECES	27	REGLAGE DE LA PROFONDEUR DE	
SPECIFICATIONS	28	AGRAFAGE	35
SELECTION DES AGRAFES	28	ENTRETIEN	
ACCESSOIRES	28	ENTRETIEN ET INSPECTION	37
ACCESSOIRES STANDARD	28	ENTRETIEN ET REPARATIONS	38
ACCESSOIRES EN OPTION	29	LISTE DES PIECES	60
APPLICATIONS	29		

ÍNDICE

Español	Página	Página	
INFORMACIÓN DE SEGURIDAD		ANTES DE LA OPERACIÓN	48
IMPORTANTE	41	ENTORNO DE TRABAJO	48
DEFINICIÓN DE LAS PALABRAS CLAVE	41	SUMINISTRO DE AIRE	48
SEGURIDAD		LUBRICACIÓN	49
INSTRUCCIONES IMPORTANTES DE		CUIDADOS PARA CLIMAS FRÍOS	49
SEGURIDAD PARA LA UTILIZACIÓN		PRUEBA DE LA GRAPADORA	50
DE LA GRAPADORA	42	AJUSTE DE LA PRESIÓN DE AIRE	51
RESPONSABILIDADES DEL EMPRESARIO	45	CARGA DE GRAPAS	51
OPERACIÓN		OPERACIÓN DEL GRAPADORA	52
NOMENCLATURA	46	METODOS DE OPERACIÓN	53
ESPECIFICACIONES	47	AJUSTE DE LA PROFUNDIDAD DE	
SELECCIÓN DE GRAPAS	47	GRAPADORA	54
ACCESORIOS	47	MANTENIMIENTO	
ACCESORIOS ESTÁNDAR	47	MANTENIMIENTO E INSPECCIÓN	56
ACCESORIOS OPCIONALES	48	SERVICIO Y REPARACIONES	57
APLICACIONES	48	LISTA DE PIEZAS	60

IMPORTANT SAFETY INFORMATION



Read and understand tool labels and all of the operating instructions, safety precautions and warnings in this manual before operating or maintaining this stapler.
Failure to follow warnings could result in **DEATH** or **SERIOUS INJURY**.

Most accidents that result from the operation and maintenance of Staplers are caused by the failure to observe basic safety rules or precautions. An accident can often be avoided by recognizing a potentially hazardous situation before it occurs, and by observing appropriate safety procedures.

Basic safety precautions are outlined in the "SAFETY" section of this Manual and in the sections which contain the operation and maintenance instructions.

Hazards that must be avoided to prevent bodily injury or machine damage are identified by **DANGERS** and **WARNINGS** on the Stapler and in this Manual.

Never use this Stapler for applications other than those specified in this Manual.

DEFINITIONS OF SIGNAL WORDS

DANGER indicates an imminently hazardous situation which, if not avoided, will result in death or serious injury.

WARNING indicates a potentially hazardous situation which, if not avoided, could result in death or serious injury.

CAUTION indicates a potentially hazardous situation which, if not avoided, may result in minor or moderate injury, or may cause machine damage.

NOTE emphasizes essential information.

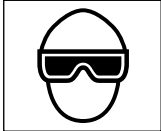
SAFETY

IMPORTANT SAFETY INSTRUCTIONS FOR USING STAPLERS

READ ALL INSTRUCTIONS

DANGER

1. OPERATORS AND OTHERS IN WORK AREA MUST WEAR SAFETY GLASSES WITH SIDE SHIELDS.



When operating the Stapler, always wear safety glasses with side shields, and make sure others in work area wear safety glasses, too. Safety glasses must conform to the requirements of American National Standards Institute, ANSI Z87.1 and provide protection against flying particles both from the front and side.

The employer must enforce the use of safety glasses by the Stapler operator and others in work area.

2. NEVER USE OXYGEN OR OTHER BOTTLED GASES. EXPLOSION MAY OCCUR.



Never use oxygen, combustible gases or any other bottled gases as a power source for the Stapler. Use of the above gases is dangerous, as the Stapler will explode. Use only clean, dry, regulated compressed air.

WARNING

3. NEVER POINT TOOL AT YOURSELF OR OTHERS IN WORK AREA.



Always assume the Stapler contains fasteners. Never point the Stapler at yourself toward yourself or others, whether it contains fasteners or not. If fasteners are mistakenly driven, it can lead to severe injuries. Never engage in horseplay with the Stapler. Respect the Stapler as a working implement.

4. KEEP FINGERS AWAY FROM TRIGGER WHEN NOT DRIVING FASTENERS TO AVOID ACCIDENTAL FIRING.

Never carry the Stapler with finger on trigger since you could drive a fastener unintentionally and injure yourself or someone else. Always carry the Stapler by the handle only.

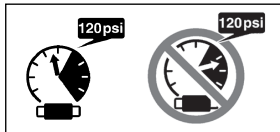
5. CHOICE OF TRIGGERING METHOD IS IMPORTANT.

Read and understand section titled "METHODS OF OPERATION." (pages 14 – 15)

SAFETY — Continued

⚠ WARNING

6. DO NOT EXCEED 120 psi. (8.3 bar 8.5 kgf/cm²)



Do not exceed maximum recommended air pressure 120 psi (8.3 bar 8.5 kgf/cm²).

Never connect the Stapler to pressure which potentially exceeds 200 psi (13.7 bar 14 kgf/cm²) as the Stapler can burst.

7. ALWAYS WEAR EAR AND HEAD PROTECTION.

Always wear ear protection to protect your ears from loud noise.

Always wear head protection to protect your head from flying objects.

8. STORE STAPLER PROPERLY.

When not in use, the Stapler should be stored in a dry place. Keep out of reach of children. Lock the storage area.

9. KEEP WORK AREA CLEAN.

Cluttered areas invite injuries. Clear all work areas of unnecessary tools, debris, furniture, etc.

10. NEVER USE IN PRESENCE OF FLAMMABLE LIQUIDS OR GASES.

The Stapler produces sparks during operation.

Never use the Stapler in sites containing lacquer, paint, benzene, thinner, gasoline, gases, adhesive agents, and other materials which are combustible or explosive.

11. KEEP VISITORS AWAY.

Do not let visitors handle the Stapler. All visitors should be kept safely away from work area.

12. DRESS PROPERLY.

Do not wear loose clothing or jewelry as they can be caught in moving parts.

Rubber gloves and nonskid footwear are recommended when working outdoors.

Wear protective hair covering to contain long hair.

13. NEVER USE NON RELIEVING COUPLER ON STAPLER.

If a non relieving coupler is used on the Stapler, the Stapler can remain charged with air after disconnecting and thus will be able to drive a fastener even after disconnecting.

The Stapler and air hose must have a hose coupling such that all pressure is removed from the Stapler when the coupling joint is disconnected.

14. CHECK PUSH LEVER BEFORE USE.

Make sure the push lever operates properly. (The push lever may be called "Safety".) Never use the Stapler unless the push lever is operating properly, otherwise the Stapler could drive a fastener unexpectedly. Do not tamper with or remove the push lever, otherwise the push lever becomes inoperable.

15. KEEP ALL SCREWS AND COVERS TIGHTLY IN PLACE.

Keep all screws and covers tightly mounted. Check their condition periodically.

Never use the Stapler if parts are missing or damaged.

16. DO NOT LOAD FASTENERS WITH TRIGGER PULLED OR PUSH LEVER DEPRESSED.

When loading fasteners into the Stapler or when connecting the air hose,

- 1) do not pull the trigger;
- 2) do not depress the push lever; and
- 3) keep the Stapler pointed downward.

SAFETY — Continued

WARNING

- 17. KEEP FACE, HANDS AND FEET AWAY FROM FIRING HEAD AT ALL TIMES.**
Never place your face, hands or feet near the firing head.
- 18. PLACE STAPLER PROPERLY ON WORKPIECE.**
Do not drive fasteners on top of other fasteners or with the Stapler at too steep of an angle; the fasteners can ricochet and hurt someone.
- 19. BE CAREFUL OF DOUBLE FIRE DUE TO RECOIL.**
If the push lever is unintentionally allowed to re-contact the workpiece following recoil, an unwanted fastener will be driven.
In order to avoid this undesirable double fire,
1) do not push the Stapler on the workpiece with strong force;
2) take the Stapler completely away from the workpiece using recoil, and keep the push lever away from the workpiece until the next desirable shot; and
3) pull the trigger and release it QUICKLY when performing intermittent operation (trigger fire).
- 20. DO NOT DRIVE FASTENERS INTO THIN BOARDS OR NEAR CORNERS AND EDGES OF WORKPIECE.**
The fasteners can be driven through or away from the workpiece and hit someone.
- 21. NEVER DRIVE FASTENERS FROM BOTH SIDES OF A WALL AT THE SAME TIME.**
The fasteners can be driven into and through the wall and hit a person on the opposite side.
- 22. CHECK FOR LIVE WIRES.**
Avoid the risk of severe electrical shock by checking for live electrical wires that may be hidden by walls, floors or ceilings. Turn off the breaker switch to ensure there are no live wires.
- 23. NEVER CARRY STAPLER BY HOSE.**
- 24. DO NOT OVERREACH.**
Keep proper footing and balance at all times.
- 25. NEVER USE STAPLER WHICH IS DEFECTIVE OR OPERATING ABNORMALLY.**
If the Stapler appears to be operating unusually, making strange noises, or otherwise appears defective, stop using it immediately and arrange for repairs by a Hitachi authorized service center.
- 26. DO NOT DISCONNECT AIR HOSE FROM STAPLER WITH FINGER ON TRIGGER.**
The Stapler can fire when re-connected to an air supply.
- 27. DISCONNECT AIR HOSE FROM STAPLER WHEN:**
1) doing maintenance and inspection;
2) loading fasteners;
3) clearing a jam;
4) it is not in use;
5) leaving work area;
6) moving it to another location; and
7) handing it to another person.
Never attempt to clear a jam or repair the Stapler unless you have disconnected air hose from the Stapler and removed all remaining fasteners from the Stapler. The Stapler should never be left unattended since people who are not familiar with the Stapler might handle it and injure themselves.
- 28. STAY ALERT.**
Watch what you are doing. Use common sense.
Do not operate the Stapler when you are tired.
The Stapler should never be used by you if you are under the influence of alcohol, drugs or medication that makes you drowsy.

SAFETY — Continued

WARNING

29. HANDLE STAPLER CORRECTLY.

Operate the Stapler according to this Manual.

Never allow the Stapler to be operated by children, individuals unfamiliar with its operation or unauthorized personnel.

30. NEVER USE STAPLER FOR APPLICATIONS OTHER THAN THOSE SPECIFIED IN THIS MANUAL.

31. HANDLE STAPLER CAREFULLY.

Because of high air pressure in the Stapler, cracks in the surface are dangerous.

To avoid this, do not drop the Stapler or strike the Stapler against hard surfaces; and do not scratch or engrave signs on the Stapler. Handle the Stapler carefully.

32. MAINTAIN STAPLER WITH CARE.

Keep the Stapler clean and lubricated for better and safer performance.

33. USE ONLY PARTS, ACCESSORIES OR FASTENERS SUPPLIED OR RECOMMENDED BY HITACHI.

Unauthorized parts, accessories, or fasteners may void your warranty and can lead to malfunction and resulting injuries.

Only service personnel trained by Hitachi, distributor or employer shall repair the Stapler.

34. NEVER MODIFY OR ALTER A STAPLER.

Doing so may cause it to malfunction and personal injuries may result.

EMPLOYER'S RESPONSIBILITIES

1. Ensure that this MANUAL is available to operators and personnel performing maintenance.
2. Ensure that Staplers are used only when operators and others in work area are wearing EYE PROTECTOR.
3. Enforce the use of EYE PROTECTOR by operators and others in work area.
4. Keep Staplers in safe working order.
5. Maintain Staplers properly.
6. Ensure that Staplers which require repair are not further used before repair.

**SAVE THIS MANUAL AND
KEEP IT AVAILABLE FOR OTHERS!**

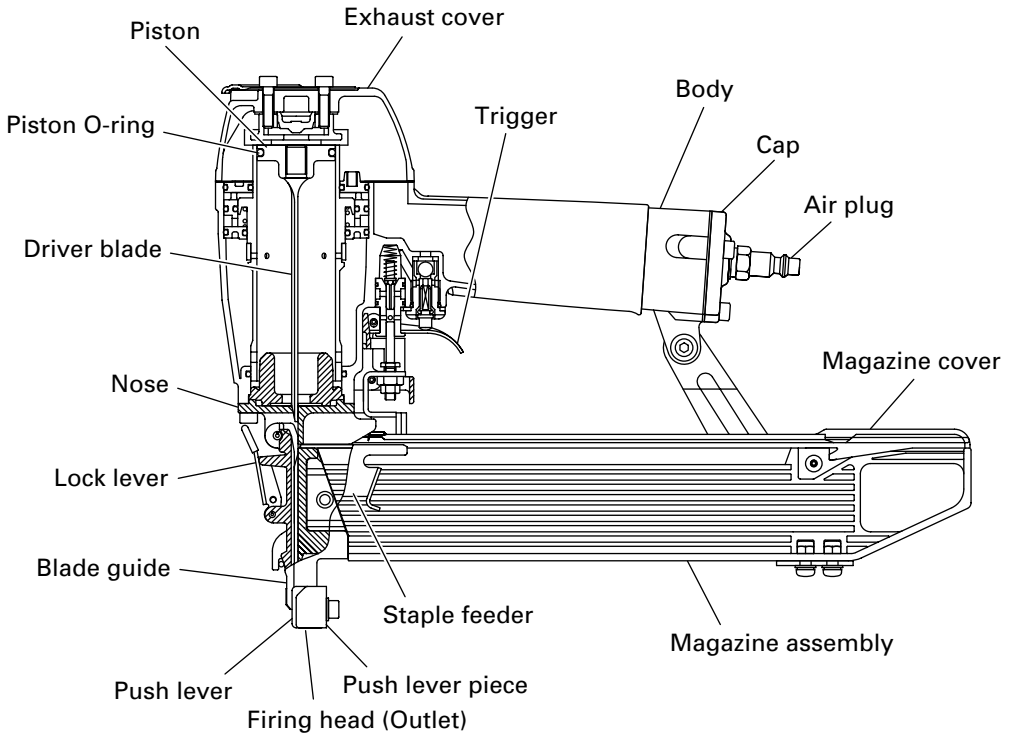
OPERATION

NOTE:

The information contained in this Manual is designed to assist you in the safe operation of the Stapler.

Some illustrations in this Manual may show details or attachments that differ from those on your own Stapler.

NAME OF PARTS



SPECIFICATIONS

Operating pressure	70 – 120 psi (4.9 – 8.3 bar 5 – 8.5 kgf/cm ²)
Dimensions Length × Height × Width	14-3/8" × 10-5/32" × 3" (365 mm × 258 mm × 76 mm)
Weight	4.4 lbs. (2.0 kg)
Staple capacity	150 Staples
Air consumption	.040 ft ³ /cycle at 100 psi (1.1 ltr/cycle at 6.9 bar) (1.1 ltr/cycle at 7 kgf/cm ²)

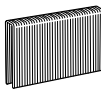
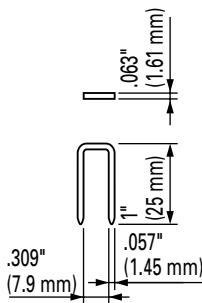

STAPLE SELECTION

⚠ WARNING


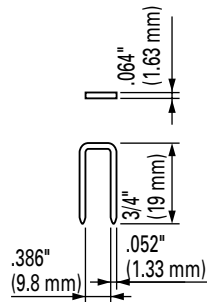

- Be sure to use only the genuine HITACHI staples for the N5008AC2, N5010A. The use of any other staples can result in tool malfunction and/or staple breakdown, leading to serious injuries.

Only staples shown in the Table below can be driven with this Stapler.

Dimensions of staples for N5008AC2

16 Gauge 7/16" Crown staple	Min.	Max.
		

Dimensions of staples for N5010A

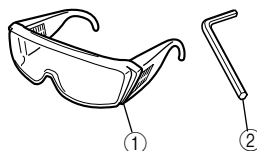
16 Gauge 1/2" Crown staple	Min.	Max.
		

ACCESSORIES

⚠ WARNING

- Accessories other than those shown below can lead to malfunction and resulting injuries.

STANDARD ACCESSORIES



① Eye protection	1
② Allen wrench for M5 screw	1

OPTIONAL ACCESSORIES

- Sequential Trip Mechanism Kit
... sold separately
(Code No. 876762)
- (Single Shot Parts)
- Pneumatic Tool Lubricant
1 oz. (30 cc) oil feeder (Code No.877153)
4 oz. (120 cc) oil feeder
(Code No.874042)
- 1 quart (1 ltr) can (Code No.876212)

NOTE: Accessories are subject to change without any obligation on the part of HITACHI.

APPLICATIONS

- Construction work such as wall sheathing, roof decking, subflooring.
- Mobile and modular home construction.
- Making wooden boxes, and expendable pallets.

BEFORE OPERATION

Read section titled "SAFETY" (pages 4 – 7).

Make sure of the following before operation.

WORKING ENVIRONMENT

WARNING

- No flammable gas, liquid or other flammable objects at worksite.
- Clear the area of children or unauthorized personnel.

AIR SUPPLY

DANGER



- NEVER use oxygen or other bottled gases. Explosion may occur.

WARNING

- Never connect Stapler to pressure which potentially exceeds 200 psi (13.7 bar 14 kgf/cm²).
- Never use non relieving coupler on Stapler.

1. Power source
 - Use only clean, dry, regulated compressed air as a power source for this Stapler.
 - Air compressors used to supply compressed air to this Stapler must comply with the requirements of the latest version of ANSI Standard B 19.3 "Safety Standard For Compressors For Process Industries."
 - Moisture or oil in the air compressor may accelerate wear and corrosion in the Stapler.
Drain daily.
2. Filter-Regulator-Lubricator
 - Use a regulator with a pressure range of 0 – 120 psi (0 – 8.3 bar 0 – 8.5 kgf/cm²).
 - Filter-regulator-lubricator units supply an optimum condition for the Stapler and extend the Stapler life. These units should always be used.

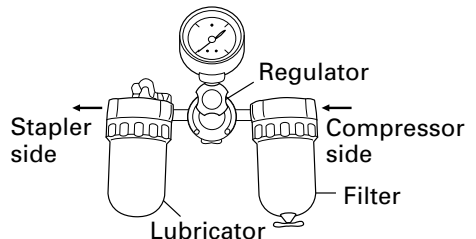
Filter The filter removes moisture and dirt mixed in compressed air.

Drain daily unless fitted with an automatic drain. Keep the filter clean by regular maintenance.

Regulator The regulator controls the operating pressure for safe operation of the Stapler.

Inspect the regulator before operation to be sure it operates properly.

Lubricator The lubricator supplies an oil mist to the Stapler. Inspect the lubricator before operation to be sure the supply of lubricant is adequate. Use Hitachi pneumatic tool lubricant.



3. Air hose
Air hose must have a minimum working pressure rating of 150 psi (10.4 bar 10.6 kgf/cm²) or 150% of the maximum pressure produced in the system, whichever is higher.
4. Air consumption
Using the Air consumption table and the Air compressor size formula, find a correct compressor size.

Air consumption table

Operating pressure	psi (bar)	80 (5.5)	90 (6.2)	100 (6.9)
	(kgf/cm ²)	(5.6)	(6.3)	(7)
Air consumption	ft ³ /cycle (ltr/cycle)	.028 (.8)	.032 (.9)	.039 (1.1)

Air compressor size formula

Amount of air required

=number of Staplers

× average staples driven each minute per Stapler

× air consumption at given air pressure

× safety factor (always 1.2)

Example: 3 Staplers (N5010A) operating at 100 psi driving 30 staples per minute

Amount of air required

=3 × 30 × .039 (1.1) × 1.2

=4.2 CFM (ft³/min) (119 ltr/min)

After making the calculations as shown above, you should find a compressor providing 4.2 CFM of air that is required.

LUBRICATION

It is important that the Stapler be properly lubricated.

Without proper lubrication, the Stapler will not work properly and parts will wear prematurely.

- Use Hitachi pneumatic tool lubricant. Do not use detergent oil or additives. These lubricants will harm the O-rings and other rubber parts. This will cause the Stapler to malfunction.
- Filter-regulator-lubricator units should always be used. Keep the lubricator filled with Hitachi pneumatic tool lubricant.

- If a lubricator is not available, supply 5 – 10 drops of Hitachi pneumatic tool lubricant into the air plug on the Stapler twice a day.

COLD WEATHER CARE

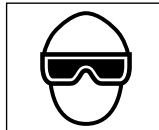
- Do not store the Stapler in a cold weather environment. Keep the Stapler in a warm area until beginning the work.
- If the Stapler is already cold, bring it in a warm area and allow the Stapler to warm up before use.
 - ① Reduce the air pressure to 64 psi (4.4 bar 4.5 kgf/cm²).
 - ② Remove all staples from the Stapler.
 - ③ Connect the air hose and free-fire (blank-fire) the Stapler. The lowered air pressure will be enough to free-fire the Stapler. Slow speed operation tends to warm up the moving part.

⚠ CAUTION

- Do not free-fire the Stapler at high pressure.

TESTING THE STAPLER

⚠ DANGER



- Operators and others in work area **MUST** wear safety glasses with side shields which conforms to ANSI Z87.1 specifications.

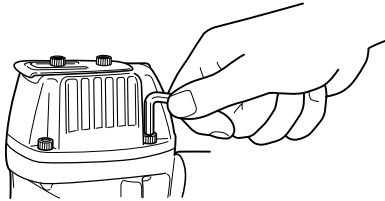
⚠ WARNING

- Never use Stapler unless push lever is operating properly.

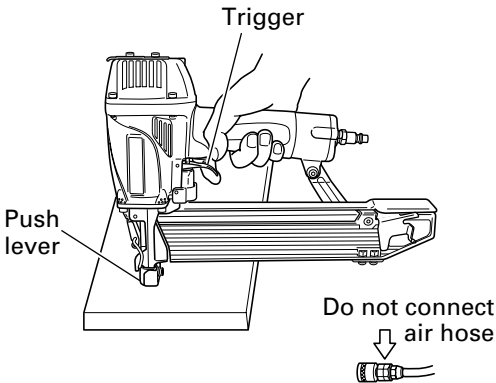
Before actually beginning the stapling work, test the Stapler by using the checklist below. Conduct the tests in the following order. If abnormal operation occurs, stop using the Stapler and contact a Hitachi authorized service center immediately.

- (1) DISCONNECT AIR HOSE FROM STAPLER.
REMOVE ALL STAPLES FROM STAPLER.

- ALL SCREWS MUST BE TIGHTENED.
If any screws are loose, tighten them.



- THE PUSH LEVER AND TRIGGER MUST MOVE SMOOTHLY.

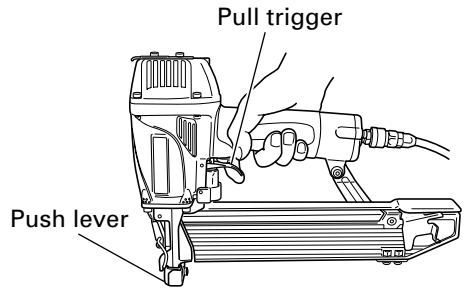


- (2) Adjust the air pressure to 70 psi (4.9 bar 5 kgf/cm²).
Connect the air hose.
Do not load any staples in the Stapler.

- THE STAPLER MUST NOT LEAK AIR.

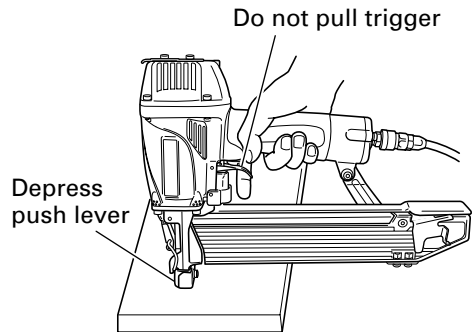
Hold the Stapler downward and pull the trigger.

- THE STAPLER MUST NOT OPERATE.



- (3) With finger off the trigger, depress the push lever against the workpiece.

- THE STAPLER MUST NOT OPERATE.



- (4) Without touching the trigger, depress the push lever against the workpiece.
Pull the trigger.

- THE STAPLER MUST OPERATE.

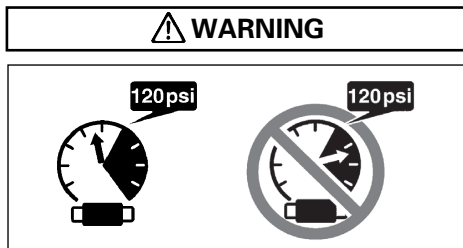
- (5) With the Stapler off the workpiece, pull the trigger.
Depress the push lever against the workpiece.

- THE STAPLER MUST OPERATE.

- (6) If no abnormal operation is observed, you may load staples in the Stapler.
Drive staples into the workpiece that is the same type to be used in the actual application.

- THE STAPLER MUST OPERATE PROPERLY.

ADJUSTING AIR PRESSURE



- Do not exceed 120 psi (8.3 bar 8.5 kgf/cm²).

Adjust the air pressure at recommended operating pressure 70 – 120 psi (4.9 – 8.3 bar 5 – 8.5 kgf/cm²) according to the length of staples and the hardness of workpiece.

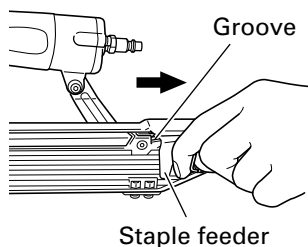
The correct air pressure is the lowest pressure which will do the job. Using the Stapler at a higher than required air pressure unnecessarily over stresses the Stapler.

LOADING STAPLES

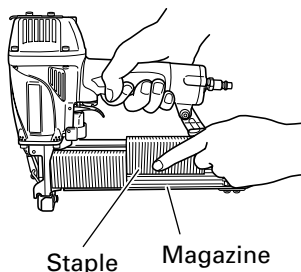


- When loading staples into Stapler,
 - 1) do not pull trigger;
 - 2) do not depress push lever; and
 - 3) keep Stapler pointed downward.

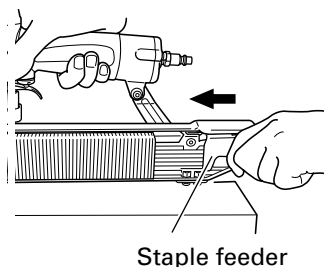
- (1) Pull the staple feeder backward and attach it securely to a groove of the magazine.



- (2) Place the staple strip over the magazine. Make sure that the staple strip slides freely on the magazine.



- (3) Pull the staple feeder backward. Then, detach it from the groove of magazine and softly bring the staple back as if it were being gently pushed, avoiding any impact.



The Stapler is now ready to operate.

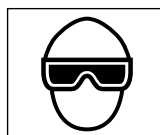
⚠ CAUTION

If the staple feeder is released all of a sudden, it can return abruptly, causing deformation and/or scatter, eventually ending up in clogged staples.

Be absolutely sure to bring back the staple feeder, avoiding any impact.

STAPLER OPERATION

Read section titled "SAFETY" (pages 4 – 7).



- Operators and others in work area **MUST** wear safety glasses with side shields which conforms to ANSI Z87.1 specifications.

⚠ WARNING



- **NEVER** point tool at yourself or others in work area.
- **Keep fingers AWAY** from trigger when not driving staples to avoid accidental firing.
- **Choice of triggering method is important.**
Please read and understand “METHODS OF OPERATION” found below.
- **Never place your face, hands or feet near firing head when using.**
- **Do not drive staples on top of other staples or with Stapler at too steep of an angle; staples can ricochet and hurt someone.**
- **In order to avoid double fire or unwanted ejection of a staple due to bouncing of the Stapler.**
 - 1) **do not push Stapler on workpiece with strong force;**
 - 2) **take Stapler away from workpiece using recoil;**
 - 3) **release trigger quickly when performing trigger fire.**
- **Do not drive staples into thin boards or near corners and edges of workpiece. Staples can be driven through or away from workpiece and hit someone.**
- **Never drive staples from both sides of a wall at the same time. Staples can be driven into and through the wall and hit a person on the opposite side.**
- **Never use Stapler which is defective or operating abnormally.**
- **Do not use Stapler as hammer.**
- **Disconnect air hose from Stapler when:**
 - 1) **turning the adjuster;**
 - 2) **it is not in use;**
 - 3) **leaving work area;**
 - 4) **moving it to another location; and**
 - 5) **handing it to another person.**

This Hitachi Stapler has a STANDARD CONTACT TRIP MECHANISM (Bounce Fire). An OPTIONAL SEQUENTIAL TRIP MECHANISM kit (SINGLE SHOT) is available as order part number 876762.

THE STANDARD CONTACT TRIP MECHANISM (Bounce Fire) is for use where rapid fastener placement is desired and must be operated in accordance with the following “Methods of Operation”.

METHODS OF OPERATION

This Stapler is equipped with the push lever and does not operate unless the push lever is depressed (upward position).

There are two methods of operation to drive staples with this Stapler.

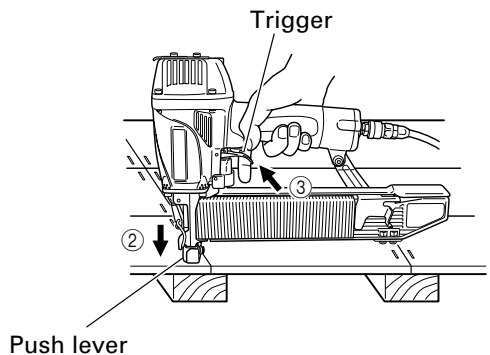
They are:

1. Intermittent operation (Trigger fire);
2. Continuous operation (Push lever fire);

(1) Intermittent operation (Trigger fire)

- ① Position the staple outlet on the workpiece with finger off the trigger.
- ② Depress the push lever firmly until it is completely depressed.
- ③ Pull the trigger to drive a staple.
- ④ Remove finger from the trigger.

To drive another staple, move the Stapler along the workpiece and repeat this procedure.



(2) Continuous operation (Push lever fire)

⚠ WARNING

- **To avoid double firing or accidental firing due to recoil.**

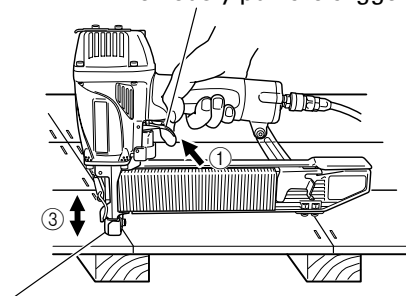
- 1) **Do not press the stapler against the workpiece with excessive force.**
- 2) **Separate the stapler from the workpiece as it recoils after stapling.**

- ① Pull the trigger with the Stapler off the workpiece.
- ② Depress the push lever against the workpiece to drive a staple.
- ③ Move the Stapler along the workpiece with a bouncing motion.

Each depression of the push lever will drive a staple.

As soon as the desired number of staples have been driven, remove finger from the trigger.

Previously pull the trigger



Push lever

⚠ WARNING

- **Keep your finger off the trigger except during fastening operation, because serious injury could result if the push lever accidentally contacts you or others in work area.**
- **Keep hands and body away from the discharge area. The Stapler with contact trip mechanism may bounce from the recoil of driving a fastener and unwanted subsequent fastener may be driven, possibly causing injury.**
- **Some types of loaded staples can spark out of the muzzle during a nail driving operation. Exercise caution!**

THE OPTIONAL SEQUENTIAL TRIP MECHANISM (SINGLE SHOT PARTS) is for use where precision fastener placement is desired and must be operated in accordance with the following "Method of Operation".

You must first depress the push lever (upward position) where you want to drive a staple and then pull the trigger. After the each staple is driven, completely release the trigger and lift the tool off the work surface. An **OPTIONAL SEQUENTIAL TRIP MECHANISM** may reduce the possibility of bodily injury to you or others in the work area. This is because it is less likely to drive an unwanted staple if you keep the trigger pulled and accidentally bump the push lever against yourself or others. An **OPTIONAL SEQUENTIAL TRIP MECHANISM** may also reduce the speed of operation compared to the standard contact trip mechanism.

NOTE:

- Both **STANDARD CONTACT TRIP MECHANISM** and **OPTIONAL SEQUENTIAL TRIP MECHANISM** are safe if used as described above and according to all warnings and instructions.
- Always handle staples and package carefully. If staples are dropped, collating bond may be broken.
- After stapling:
 - 1) disconnect air hose from the Stapler;
 - 2) remove all staples from the Stapler;
 - 3) supply 5 – 10 drops of Hitachi pneumatic tool lubricant into the air plug on the Stapler; and
 - 4) open the petcock on the air compressor tank to drain any moisture.

ADJUSTING THE STAPLING DEPTH

⚠ WARNING

- **When adjusting the Adjuster, be sure to remove your finger from the trigger and disconnect the air hose from the stapler.**

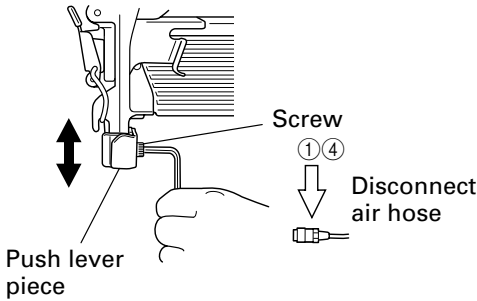
To assure that each staple penetrates to the same depth, be sure that:

- 1) the air pressure to the Stapler remains constant (regulator is installed and working properly), and

2) the Stapler is always held firmly against the workpiece.

If staples are driven too deep or shallow into the workpiece, adjust the stapling in the following order.

① DISCONNECT AIR HOSE FROM STAPLER.

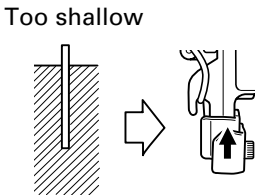
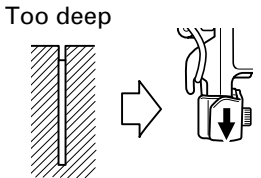


⑤ DISCONNECT AIR HOSE FROM STAPLER.

⑥ Choose a suitable position for the push lever piece.

② To adjust the driven-in depth of a staple, loosen the screw that secures a push lever piece.

If the staple is driven in deeply, adjust the push lever piece to "down", and if it's driven in shallowly, adjust the push lever piece to "up".



③ Tighten the screw to fasten the push lever piece when a suitable position is reached for a stapling test.

④ Connect the air hose. ALWAYS WEAR EYE PROTECTOR. Perform a stapling test.